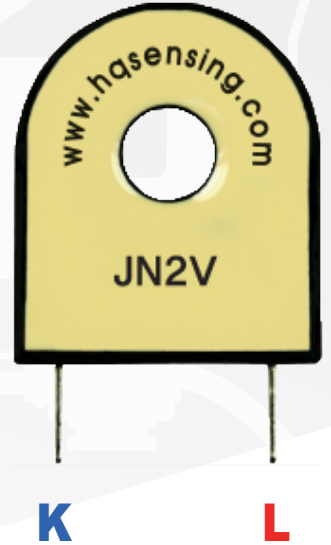


SOLID-CORE CURRENT TRANSFORMER JN2V

ELECTRICAL PROPERTIES

- Rated Current for 6A / 3.75 mA
- Turns Ratio for 1 : 1600
- Phase error (°) for 0.46
- L (H) for 60 ± 15%
- DCR (Ω) for 143 ± 6%
- Suggested burden resistor (Ω) for 10
- Ambient Temp. range for -40°C~+70°C
- Storage Temp. range for -40°C~+85°C
- High-Potential Voltage for a.c 2.5KV / 1min
- Insulation Resistance for DC 500V / 100MΩ
- Operating Frequency for 50/60Hz
- Complied to IEC 62053-22, ANSI C12.20 & RoHS

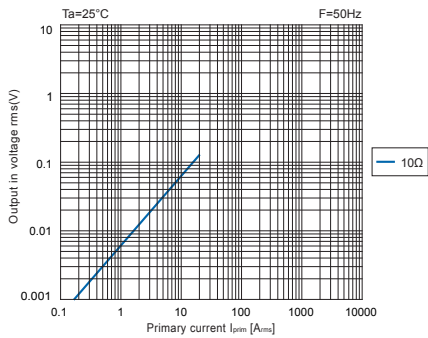


SPECIFICATION

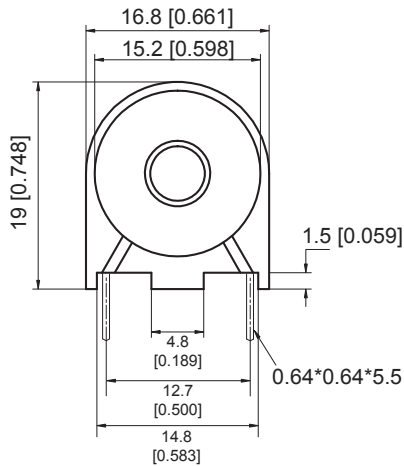
Accuracy conforms to IEC 61869-2,
meets the measuring range from 1 to 120 % of In

Model	Primary Current Range		Error	Turns Ratio	Characteristic Value					Terminal Structure	Inner Dia.Ø
	Rated Current	Max Current	Phase Ø(I) [°]		I _{max} [Arms]	L [H]	R _{cu} [Ω]	R _B [Ω]	U _B [Vrms]		
JN2V	5/10	20	0.29	1:1500	6	35	46	10	0.04	pin	5

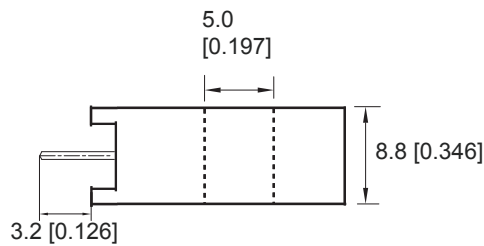
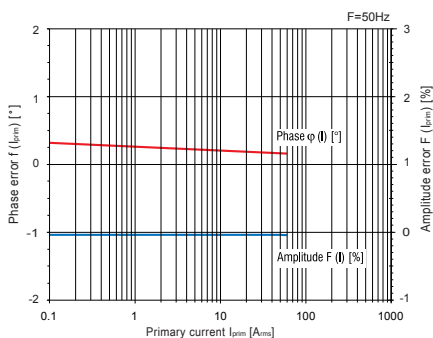
OUTPUT VOLTAGE DATA



DIMENSION



TEMPERATURE DATA



Unit : mm [inch]